

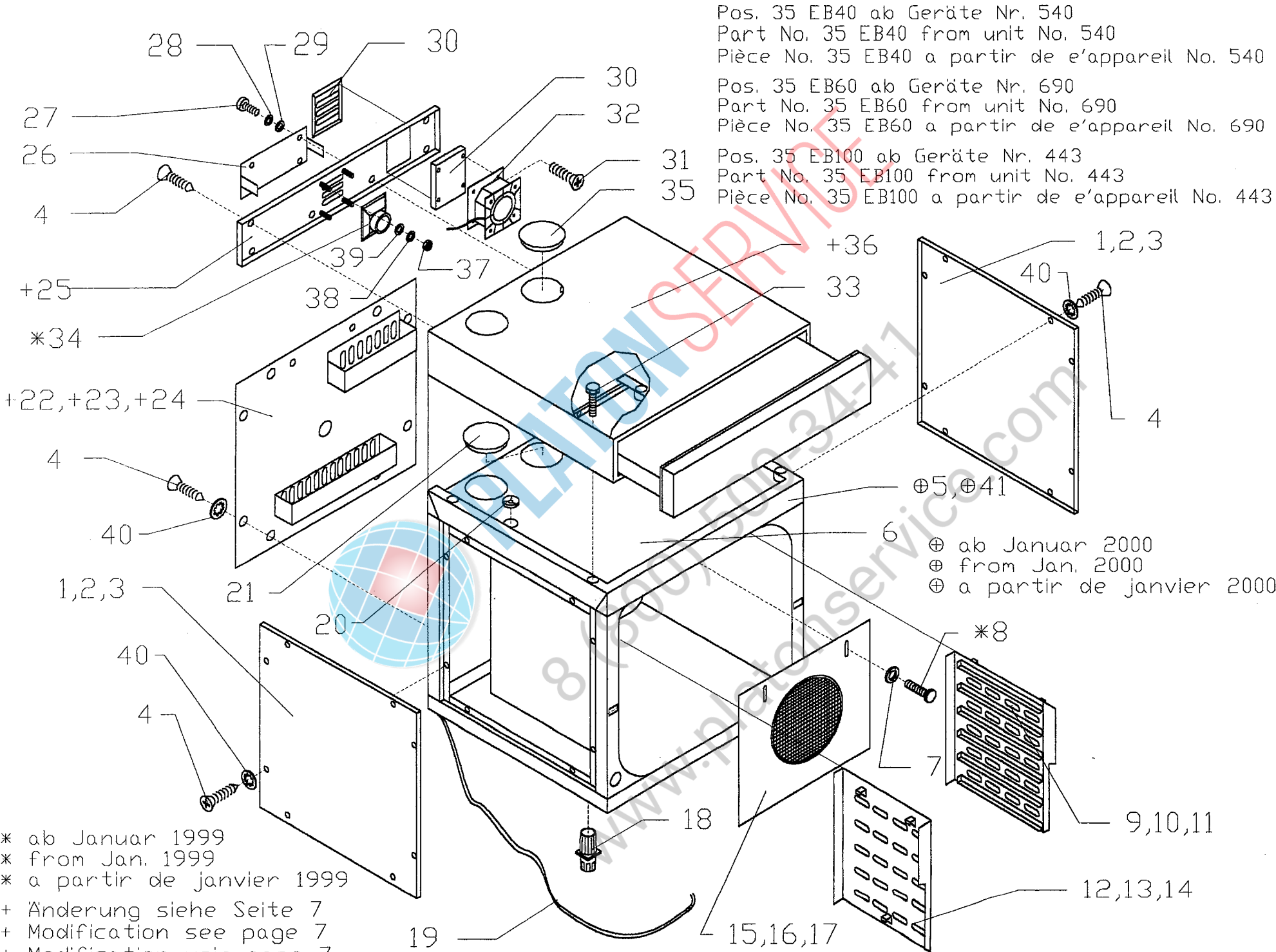
PLATON SERVICE

8 (800) 500-3477
www.platonservice.com

Sparepart list

Backmaster EB EBC

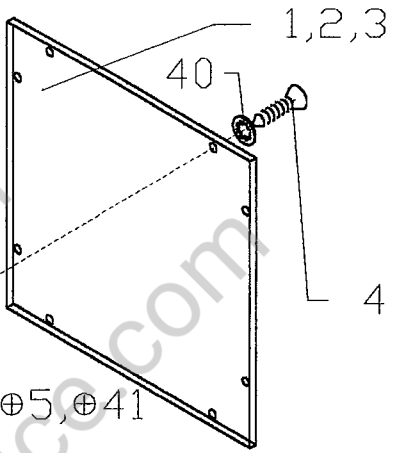
eloma



Pos. 35 EB40 ab Geräte Nr. 540
 Part No. 35 EB40 from unit No. 540
 Pièce No. 35 EB40 a partir de e'appareil No. 540

Pos. 35 EB60 ab Geräte Nr. 690
 Part No. 35 EB60 from unit No. 690
 Pièce No. 35 EB60 a partir de e'appareil No. 690

Pos. 35 EB100 ab Geräte Nr. 443
 Part No. 35 EB100 from unit No. 443
 Pièce No. 35 EB100 a partir de e'appareil No. 443

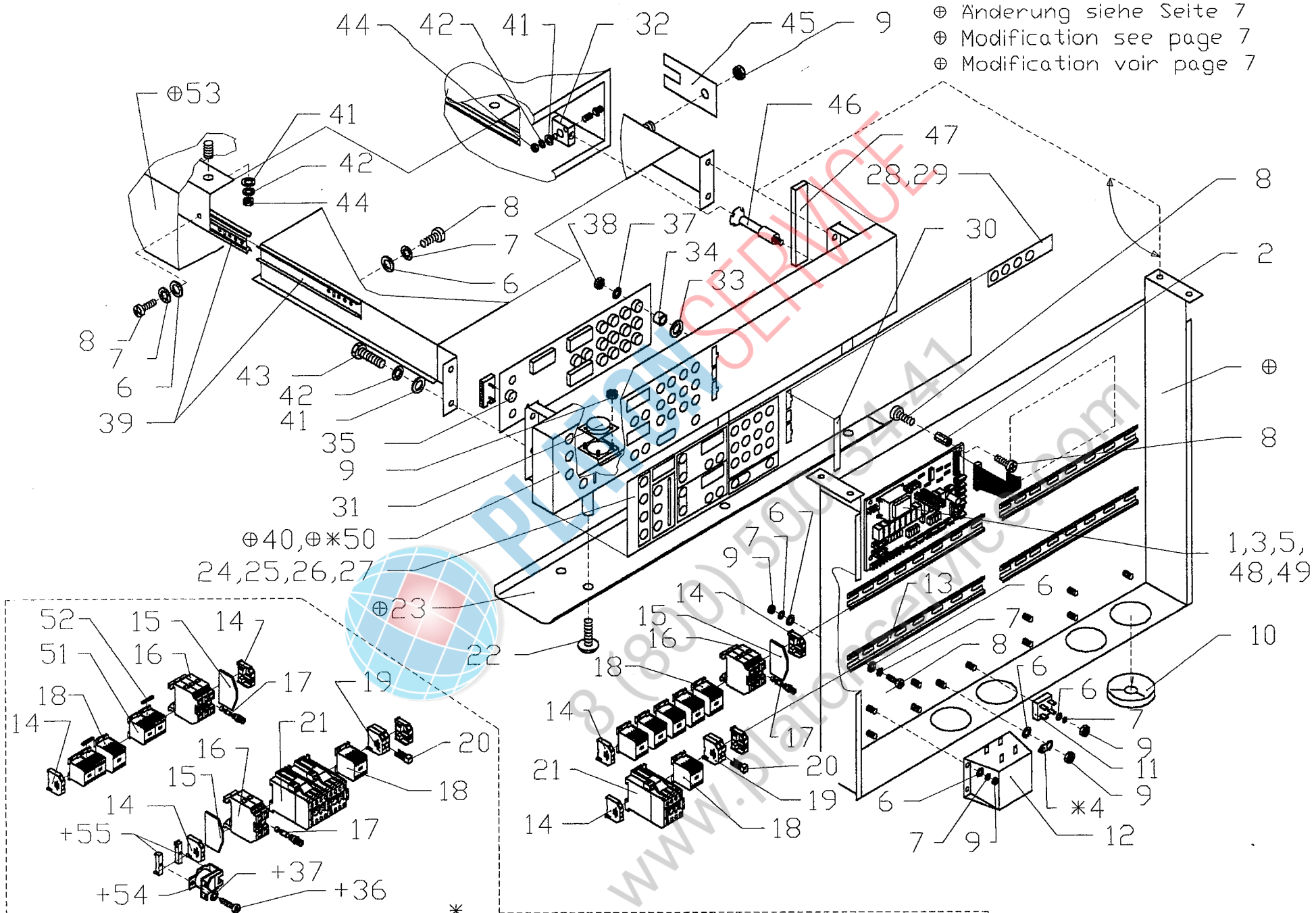


⊕ ab Januar 2000
 ⊕ from Jan. 2000
 ⊕ a partir de janvier 2000

* ab Januar 1999
 * from Jan. 1999
 * a partir de janvier 1999

+ Änderung siehe Seite 7
 + Modification see page 7
 + Modification voir page 7

⊕ Änderung siehe Seite 7
 ⊕ Modification see page 7
 ⊕ Modification voir page 7



+ EB40 ab Geräte Nr. 510
 + EB40 from unit No. 510
 + EB40 a partir de e'appareil No. 510

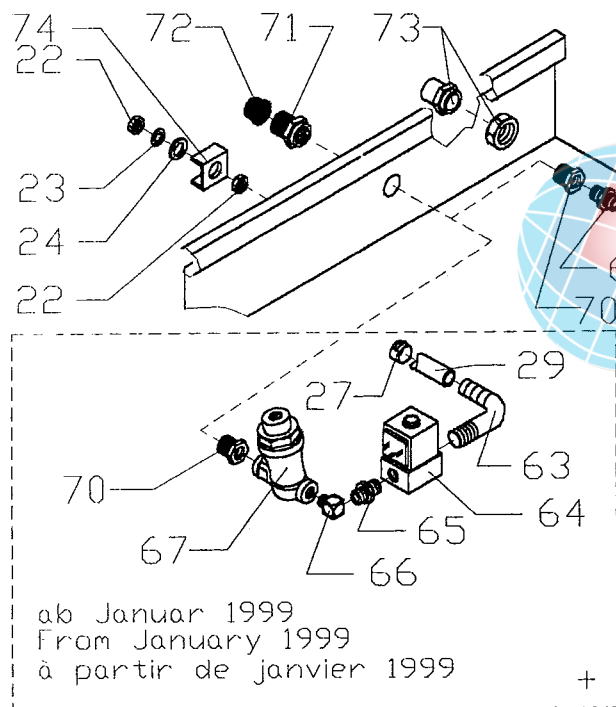
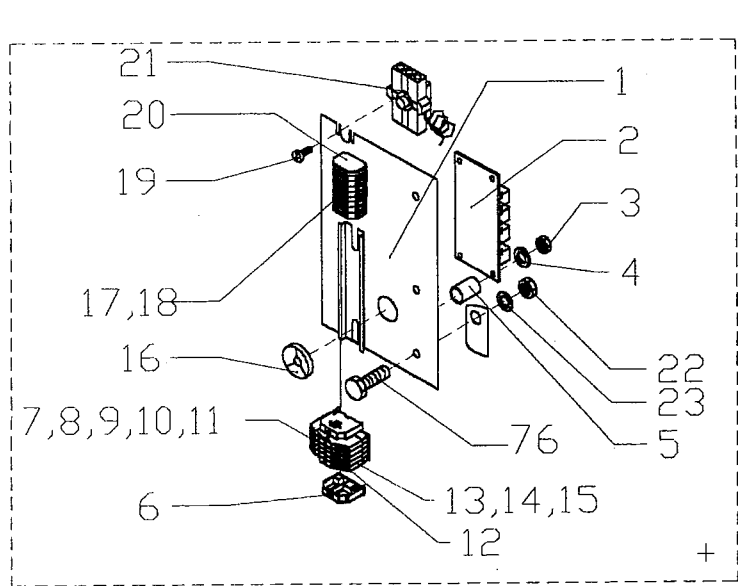
*
 + EB60 ab Geräte Nr. 628
 + EB60 from unit No. 628
 + EB60 a partir de e'appareil No. 628

*ab Januar 1999
 *from Jan. 1999
 *a partir de janvier 1999

Backmaster EB EBC

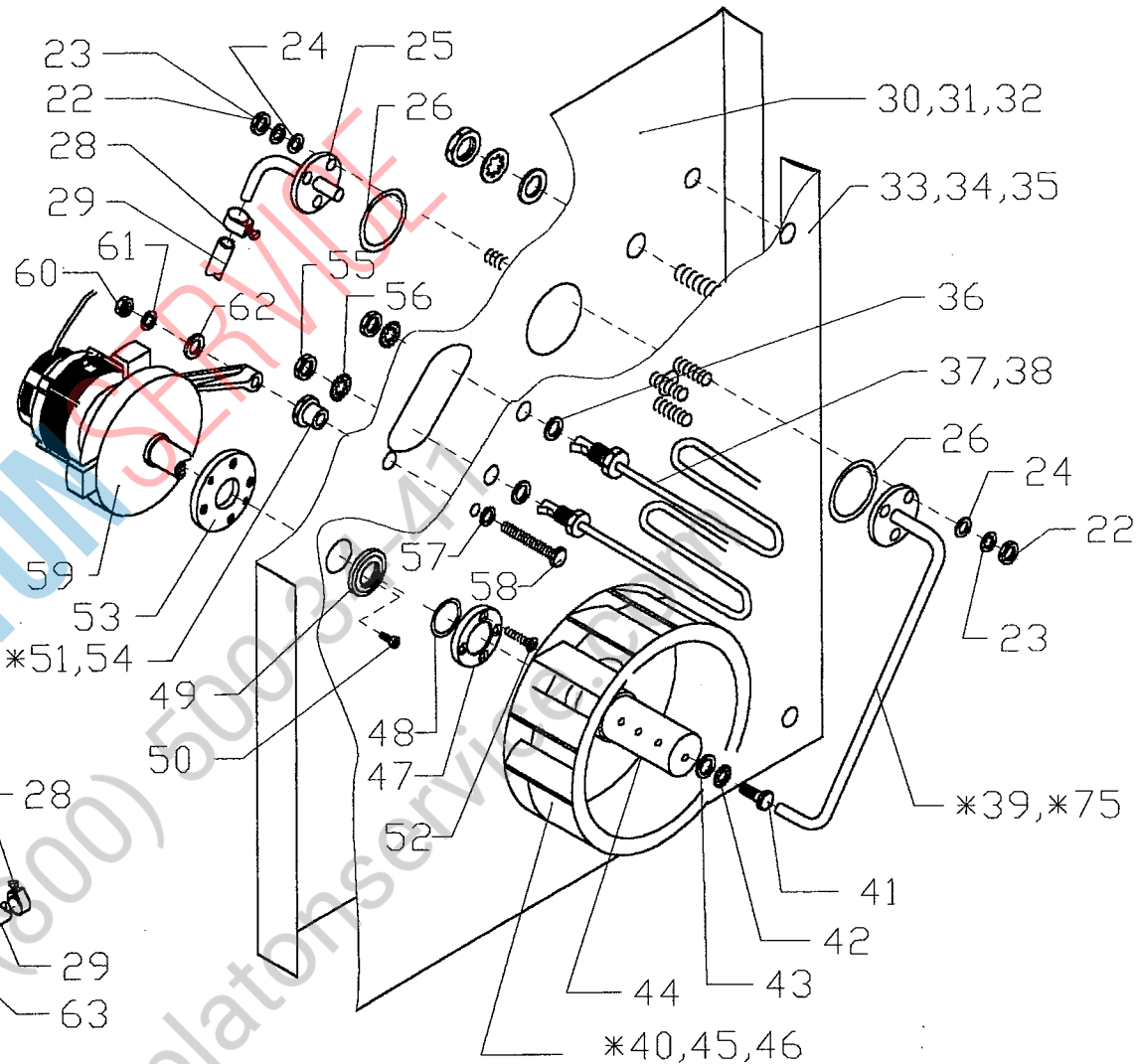
Pos.	Article no.	Description	EB 40	EB 60	EB100	EBC 80	EBC 100	EBC 120	electron	digital
1	375006	fine fuse 1 A	●	●	●	●	●	●	●	●
2	414049	hexagonal safety bolt M4 I-I, L-12	●	●	●	●	●	●	●	●
3	375007	fine fuse 2 A	●	●	●	●	●	●	●	●
4	362136	Sign "earthing"	●	●	●	●	●	●	●	●
5	344025	Power supply board EB 40/60/100	●	●	●	●	●	●	●	●
6	508012	Washer DIN 125 A 4,3 V2A	●	●	●	●	●	●	●	●
7	510013	Toothed disk DIN 6797 J4,3 V2A	●	●	●	●	●	●	●	●
8	500091	Oval-head screw DIN 7985 M4	●	●	●	●	●	●	●	●
9	505031	Hex nut ISO 4032 M4 V4A DIN 934	●	●	●	●	●	●	●	●
10	306025	Spout DG 36	●	●	●	●	●	●	●	●
11	308056	Bridge rectifier	●	●	●	●	●	●	●	●
12	310024	Transformer EI 96/59,5 EB 40-100	●	●	●	●	●	●	●	●
13	373002	clamp rail	●	●	●	●	●	●	●	●
14	371010	end clamp	●	●	●	●	●	●	●	●
15	371009	end plate fuse clamp	●	●	●	●	●	●	●	●
16	373009	fuse clamp	●	●	●	●	●	●	●	●
17	375002	fine fuse 10 A	●	●	●	●	●	●	●	●
18	324001	contactor 220 V 50-60 Hz	●	●	●	●	●	●	●	●
19	371021	universal clamp	●	●	●	●	●	●	●	●
20	371014	cross bridge	●	●	●	●	●	●	●	●
21	324002	contactor 220V 50Hz 35A	●	●	●	●	●	●	●	●
22	500124	cup-screw	●	●	●	●	●	●	●	●
23	479052	Thermal radiation sheet EB	●	●	●	●	●	●	●	●
24	350126	Adhesive panel EB 40/60 100 EB ele	●	●	●	●	●	●	●	●
25	350142	Adhesive panel EB digital	●	●	●	●	●	●	●	●
26	350125	Adhesive panel baking station EBC	●	●	●	●	●	●	●	●
27	350143	Adhesive panel baking station EBC	●	●	●	●	●	●	●	●
28	360024	adhesive baking symbols	●	●	●	●	●	●	●	●
29	360027	Product symbols strip baking EB	●	●	●	●	●	●	●	●
30	382015	Holder symbol strips EB Pantone 21	●	●	●	●	●	●	●	●
31	348016	Loud speaker EB 40/60/100	●	●	●	●	●	●	●	●
32	382014	Housing	●	●	●	●	●	●	●	●
33	508019	Nylon washer D7 d3 H0,5	●	●	●	●	●	●	●	●
34	412081	distance bushing	●	●	●	●	●	●	●	●
35	340027	Control key board ESB 4/6/10	●	●	●	●	●	●	●	●
36	503010	self tapping screw DIN 7981 C	●	●	●	●	●	●	●	●
37	510020	Toothed disk DIN 6797 J3,2 V2A	●	●	●	●	●	●	●	●
38	505030	hex nut ISO 4032 M3 V4A	●	●	●	●	●	●	●	●

Pos.	Article no.	Description	EB 40	EB 60	EB100	EBC 80	EBC 100	EBC 120	electron	digital
39	399067	Rail EB	●	●	●	●	●	●	●	●
40	476077	Control panel EB	●	●	●	●	●	●	●	●
41	508013	Washer DIN 125 A 6,4 V2A	●	●	●	●	●	●	●	●
42	510015	toothed disk DIN 6797 J6,4 V2A	●	●	●	●	●	●	●	●
43	500043	hex screw ISO 4017 M6 x 10 V2	●	●	●	●	●	●	●	●
44	505032	hex nut ISO 4032 M6 V4A	●	●	●	●	●	●	●	●
45	483130	Special tools EB	●	●	●	●	●	●	●	●
46	382013	Pin for locking control panel	●	●	●	●	●	●	●	●
47	425129	Gasket touch panel EB	●	●	●	●	●	●	●	●
48	375005	fine fuse 6,3 A	●	●	●	●	●	●	●	●
50	476076	Front panel double unit baking stat	●	●	●	●	●	●	●	●
51	324023	Turning contactor 230 V 50/6	●	●	●	●	●	●	●	●
52	324024	Turning connector	●	●	●	●	●	●	●	●
53	475109	Electric housing EB	●	●	●	●	●	●	●	●
54	348002	buzzer	●	●	●	●	●	●	●	●
55	373017	insulated support casting	●	●	●	●	●	●	●	●
####	304188	Harness control EB 230 V	●	●	●	●	●	●	●	●
####	304196	Harness control EB 12V	●	●	●	●	●	●	●	●
####	304190	Harness heating EB 40	●	●	●	●	●	●	●	●
####	304191	Harness heating EB 60 EB 100	●	●	●	●	●	●	●	●
####	304204	harness control 230V Baking Sta	●	●	●	●	●	●	●	●
####	304205	Harness control 12 V Baking Sta	●	●	●	●	●	●	●	●
####	304202	Harness heating EB 40	●	●	●	●	●	●	●	●
####	304210	Harness heating EBC Baking Sta	●	●	●	●	●	●	●	●
####	304193	Harness illumination door lock E	●	●	●	●	●	●	●	●
####	304300	Harness door touch EB	●	●	●	●	●	●	●	●
####	304112	harness, interference filter	●	●	●	●	●	●	●	●
####	302059	connection cable MMD/MMC	●	●	●	●	●	●	●	●
####	304304	Harness water shortage EB 40-100	●	●	●	●	●	●	●	●



ab Januar 1999
 From January 1999
 à partir de janvier 1999

+ Änderung siehe Seite 8
 + Modification see page 8
 + Modification voir page 8



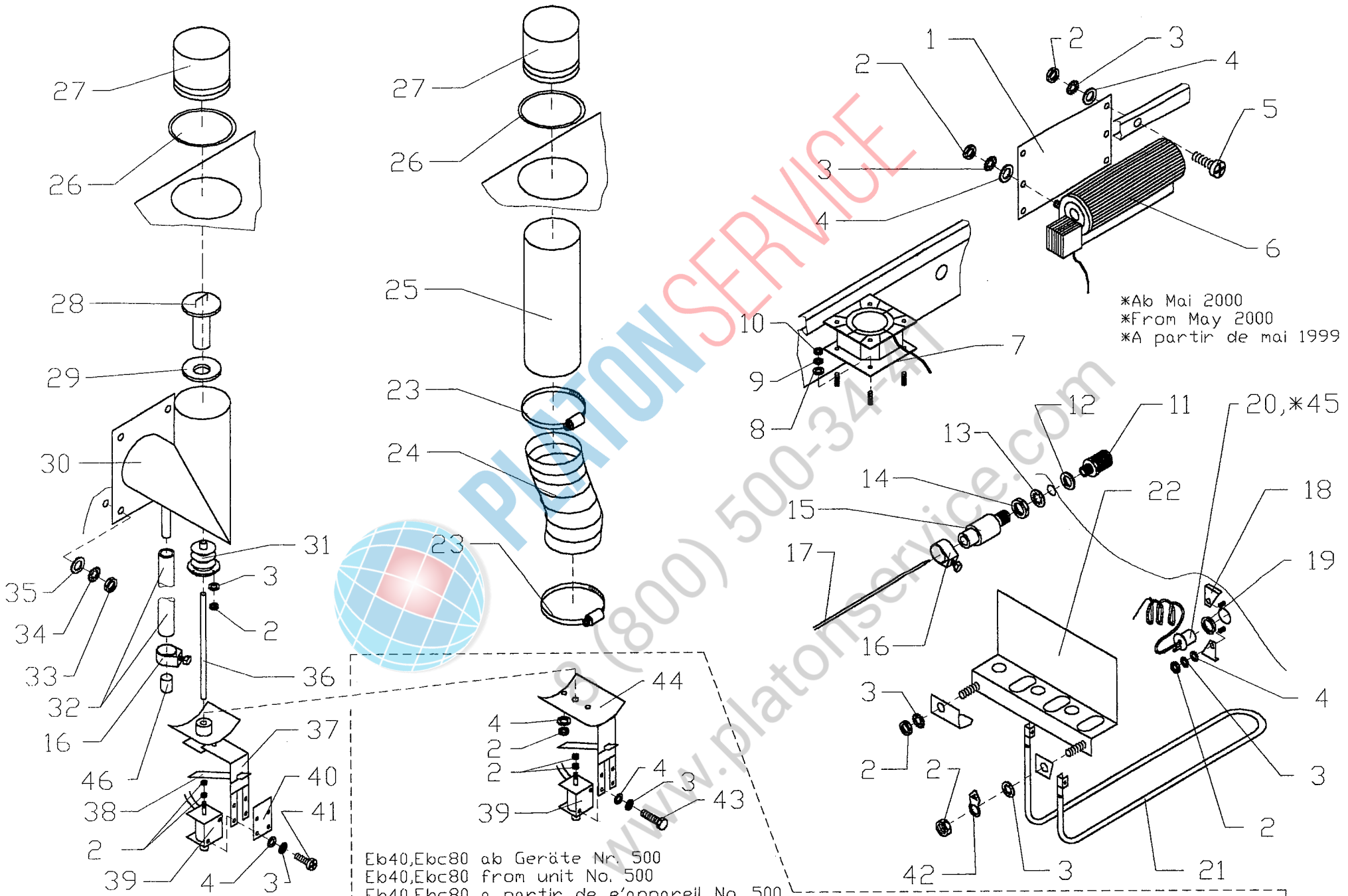
- * EB40 ab Geräte Nr. 502
- * EB40 from unit No. 502
- * EB40 a partir de e'appareil No. 502
- * EB60 ab Geräte Nr. 757
- * EB60 from unit No. 757
- * EB60 a partir de e'appareil No. 757
- * EB100 ab Geräte Nr. 479
- * EB100 from unit No. 479
- * EB100 a partir de e'appareil No. 479

- * EBC80 ab Geräte Nr. 401
- * EBC80 from unit No. 401
- * EBC80 a partir de e'appareil No. 401
- * EBC100 ab Geräte Nr. 407
- * EBC100 from unit No. 407
- * EBC100 a partir de e'appareil No. 407
- * EBC120 ab Geräte Nr. 419
- * EBC120 from unit No. 419
- * EBC120 a partir de e'appareil No. 419

Backmaster EB EBC

Pos.	Article no.	Description	EB 40	EB 60	EB100	EBC 80	EBC 100	EBC 120	electron	digital
1	482036	Electric assembly plate EB	●	●	●	●	●	●	●	●
2	308018	interference filter	●	●	●	●	●	●	●	●
3	505030	hex nut ISO 4032 M3 V4A	●	●	●	●	●	●	●	●
4	508005	Washer DIN 125 A 3,2 V2A	●	●	●	●	●	●	●	●
5	412081	distance bushing	●	●	●	●	●	●	●	●
6	371010	end clamp	●	●	●	●	●	●	●	●
7	362004	identification flap "earthing"	●	●	●	●	●	●	●	●
8	362005	identification flap "N"	●	●	●	●	●	●	●	●
9	362006	identification flap L1	●	●	●	●	●	●	●	●
10	362007	identification flap L2	●	●	●	●	●	●	●	●
11	362008	identification flap L3	●	●	●	●	●	●	●	●
12	371057	end plate	●	●	●	●	●	●	●	●
13	371055	Connecting strip	●	●	●	●	●	●	●	●
14	371054	connecting strip	●	●	●	●	●	●	●	●
15	371056	connecting strip	●	●	●	●	●	●	●	●
16	306019	Rubber socket black PG 16	●	●	●	●	●	●	●	●
17	371041	clamp	●	●	●	●	●	●	●	●
18	371040	clamp	●	●	●	●	●	●	●	●
19	500091	Oval-head screw DIN 7985 M	●	●	●	●	●	●	●	●
20	371039	end plate	●	●	●	●	●	●	●	●
21	336017	safety temp.-limit	●	●	●	●	●	●	●	●
22	505032	hex nut ISO 4032 M6 V4A	●	●	●	●	●	●	●	●
23	510015	toothed disk DIN 6797 J6,4 V2A	●	●	●	●	●	●	●	●
24	508013	Washer DIN 125 A 6,4 V2A	●	●	●	●	●	●	●	●
25	442165	Water supply tube EB electric box	●	●	●	●	●	●	●	●
26	425126	O-ring 21,8x3,53 Viton	●	●	●	●	●	●	●	●
27	422065	Tightening clamp s/s multiple us	●	●	●	●	●	●	●	●
28	422017	hose clip D 14	●	●	●	●	●	●	●	●
29	444055	Silicone hose 6X3 transparent	●	●	●	●	●	●	●	●
30	478068	Motor insulation plate EB 40	●	●	●	●	●	●	●	●
31	478067	Motor insulation plate EB 60	●	●	●	●	●	●	●	●
32	478066	Motor insulation plate EB 100	●	●	●	●	●	●	●	●
33	478075	Motor stiffening plate EB 40	●	●	●	●	●	●	●	●
34	478076	Motor stiffening plate EB 60	●	●	●	●	●	●	●	●
35	478077	Motor stiffening plate EB 100	●	●	●	●	●	●	●	●
36	427021	copper gasket, heating element	●	●	●	●	●	●	●	●
37	318082	Heater element 2.30 kW 230V,sealir	●	●	●	●	●	●	●	●
38	318045	heating element; 1,45kw 230V, ELH	●	●	●	●	●	●	●	●

Pos.	Article no.	Description	EB 40	EB 60	EB100	EBC 80	EBC 100	EBC 120	electron	digital
39	442164	Water supply pipe EB 40 to oven cav	●	●	●	●	●	●	●	●
40	392028	Fan wheel EB reinforced constructio	●	●	●	●	●	●	●	●
41	500048	hex screw ISO 4017 M10 x 16 V	●	●	●	●	●	●	●	●
42	510017	toothed disk DIN 6797 J10,5 V2A	●	●	●	●	●	●	●	●
43	508014	Washer DIN 125 A 10,5 V2A	●	●	●	●	●	●	●	●
44	412075	distribution bushing humidifier,	●	●	●	●	●	●	●	●
45	392022	Fan wheel EB 40 280 x 80	●	●	●	●	●	●	●	●
46	392021	Fan wheel EB 60/100 350 x80	●	●	●	●	●	●	●	●
47	412089	shaft packing flange E MD/MMD	●	●	●	●	●	●	●	●
48	425066	o-ring 34,59 x 2,62 viton SH 75	●	●	●	●	●	●	●	●
49	425063	Shaft packing ring 17/16x41x3	●	●	●	●	●	●	●	●
50	500095	Oval-head screw DIN 7985 M 3x10 V2	●	●	●	●	●	●	●	●
51	412153	Space bushing for fan wheel EB r	●	●	●	●	●	●	●	●
52	500147	countersunk screw M4x16 stainless st	●	●	●	●	●	●	●	●
53	412037	shaft packing gasket A MD/MMD 6	●	●	●	●	●	●	●	●
54	412139	Motor distance bushing EB	●	●	●	●	●	●	●	●
55	505079	nut, heating element	●	●	●	●	●	●	●	●
56	510019	toothed disk DIN 6797 J14,5 V2A	●	●	●	●	●	●	●	●
57	427038	copper gasket	●	●	●	●	●	●	●	●
58	500009	hex screw ISO 4014 M8 x 50 V2	●	●	●	●	●	●	●	●
59	390044	Motor EB 40/60/100 rotary curre	●	●	●	●	●	●	●	●
60	505033	hex nut ISO 4032 M8 V4A	●	●	●	●	●	●	●	●
61	510016	toothed disk DIN 6797 J8,4 V2A	●	●	●	●	●	●	●	●
62	508017	Washer DIN 125 A 8,4 V2A	●	●	●	●	●	●	●	●
63	440007	angle threaded socket	●	●	●	●	●	●	●	●
64	436040	Solenoid-valve typ 2000 2/2-way dir	●	●	●	●	●	●	●	●
65	440092	double nipple G 1/8	●	●	●	●	●	●	●	●
66	440083	angle screw stud	●	●	●	●	●	●	●	●
67	436009	pressure reducer (+440092 z	●	●	●	●	●	●	●	●
68	348009	pressure gauge 0-4,0 bar	●	●	●	●	●	●	●	●
70	440046	reduction nipple 253 M 3/8" - 1/8"	●	●	●	●	●	●	●	●
71	440039	reduction piece A 3/4" 3/8	●	●	●	●	●	●	●	●
72	418017	mudguard	●	●	●	●	●	●	●	●
73	306030	Screwing PG 21 with traction reli	●	●	●	●	●	●	●	●
74	483035	earthing terminal	●	●	●	●	●	●	●	●
75	442169	Water supply pipe EB 40 to oven cav	●	●	●	●	●	●	●	●
76	500043	hex screw ISO 4017 M6 x 10 V2	●	●	●	●	●	●	●	●



*Ab Mai 2000
 *From May 2000
 *A partir de mai 1999

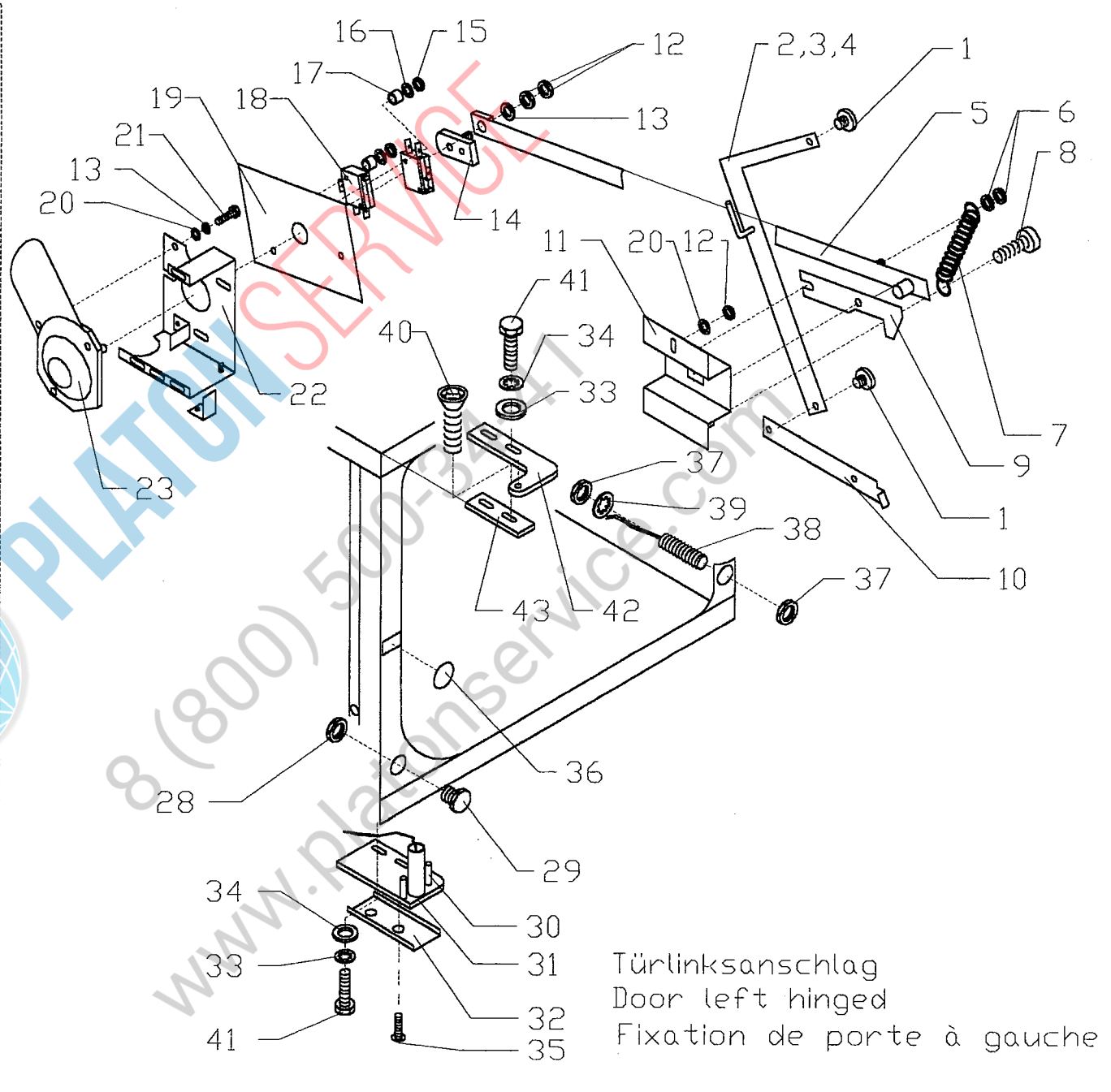
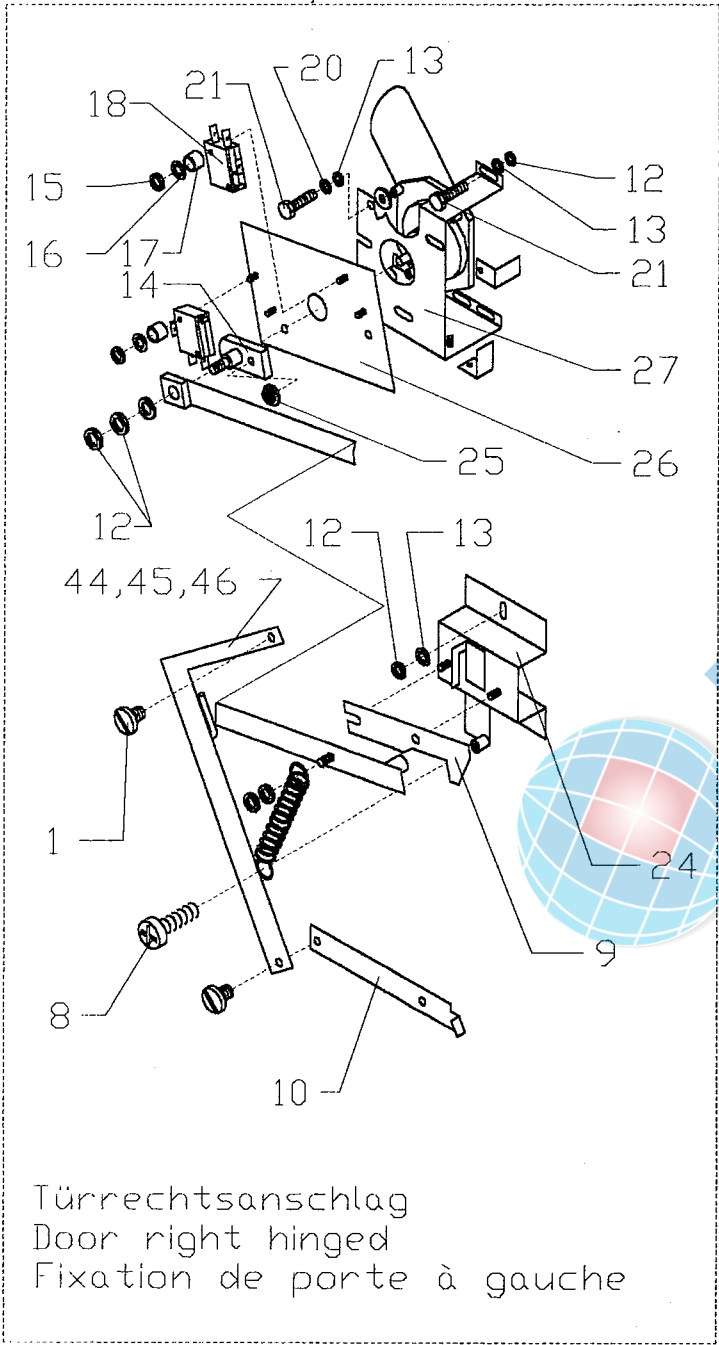
Eb40,Ebc80 ab Geräte Nr. 500
 Eb40,Ebc80 from unit No. 500
 Eb40,Ebc80 a partir de e'appareil No. 500
 Eb60,Ebc120 ab Geräte Nr. 600
 Eb60,Ebc120 from unit No. 600
 Eb60,Ebc120 a partir de e'appareil No. 600

Eb100,Ebc100 ab Geräte Nr. 400
 Eb100,Ebc100 from unit No. 400
 Eb100,Ebc100 a partir de e'appareil No. 400

Backmaster EB EBC

Pos.	Article no.	Description	EB 40	EB 60	EB100	EBC 80	EBC 100	EBC 120	electron	digital
1	483148	Fan holder EB	●	●	●	●	●	●	●	●
2	505031	Hex nut ISO 4032 M4 V4A DIN 934	●	●	●	●	●	●	●	●
3	510013	Toothed disk DIN 6797 J4,3 V2A	●	●	●	●	●	●	●	●
4	508012	Washer DIN 125 A 4,3 V2A	●	●	●	●	●	●	●	●
5	500098	Oval-head screw DIN 7985 M 4x10 V2	●	●	●	●	●	●	●	●
6	390023	Cross flow fan 180 mm	●	●	●	●	●	●	●	●
7	392016	Axial blower, 10 W Pabst 80x80x38 mm	●	●	●	●	●	●	●	●
8	508002	Washer DIN 125 A 5,3 V2A	●	●	●	●	●	●	●	●
9	510014	Toothed disk DIN 6797 J5,3 V2A	●	●	●	●	●	●	●	●
10	505024	Hex nut ISO 4032 M5 V4A	●	●	●	●	●	●	●	●
11	418001	protection grid thermostat	●	●	●	●	●	●	●	●
12	427059	Sealing ring CU, nickel 13 x 19 x 1	●	●	●	●	●	●	●	●
13	510018	toothed disk DIN 6797 J12,5 V2A	●	●	●	●	●	●	●	●
14	505045	nut 1/4"	●	●	●	●	●	●	●	●
15	410013	teflon insert	●	●	●	●	●	●	●	●
16	422017	hose clip D 14	●	●	●	●	●	●	●	●
17	316004	thermoelement sensor Ni-Cr-Ni MI	●	●	●	●	●	●	●	●
18	485032	holder, STB-sensor29x25x2	●	●	●	●	●	●	●	●
19	412073	centric bushing D 21 x 15 x 5	●	●	●	●	●	●	●	●
20	336017	safety temp.-limit	●	●	●	●	●	●	●	●
21	318094	Heater 600W 230V 1.4876 EB 40, 60,	●	●	●	●	●	●	●	●
22	483129	Catch plate for heating	●	●	●	●	●	●	●	●
23	422055	Hose clip EB flexible hose	●	●	●	●	●	●	●	●
24	444038	Flexible hose EBC	●	●	●	●	●	●	●	●
25	442171	Extension tube EBC	●	●	●	●	●	●	●	●
26	425140	O-ring EB, extension tube	●	●	●	●	●	●	●	●
27	442162	Extension pipe exhaust air EB	●	●	●	●	●	●	●	●
28	483127	Cover exhaust air EB	●	●	●	●	●	●	●	●
29	425134	Silicon plate exhaust air ES	●	●	●	●	●	●	●	●
30	442163	Exhaust air pipe EB	●	●	●	●	●	●	●	●
31	427060	Accordion tube silicon grease resist	●	●	●	●	●	●	●	●
32	444013	silicon hose 9,5 x 3,7mm	●	●	●	●	●	●	●	●
33	505032	hex nut ISO 4032 M6 V4A	●	●	●	●	●	●	●	●
34	510015	toothed disk DIN 6797 J6,4 V2A	●	●	●	●	●	●	●	●
35	508013	Washer DIN 125 A 6,4 V2A	●	●	●	●	●	●	●	●
36	403045	Lifting rod exhaust air EB	●	●	●	●	●	●	●	●
37	483126	Supporting plate exhaust air EB	●	●	●	●	●	●	●	●
38	483141	Transmission lever exhaust air	●	●	●	●	●	●	●	●

Pos.	Article no.	Description	EB 40	EB 60	EB100	EBC 80	EBC 100	EBC 120	electron	digital
39	322024	Lifting magnet air flap EB 30, ED	●	●	●	●	●	●	●	●
40	483142	Counter plate exhaust air EB	●	●	●	●	●	●	●	●
41	500091	Oval-head screw DIN 7985 M	●	●	●	●	●	●	●	●
42	362136	Sign "earthing"	●	●	●	●	●	●	●	●
43	500264	Hexagon screw ISO 4017 M4x6 V2A	●	●	●	●	●	●	●	●
44	483164	Supporting plate compl. supply air t	●	●	●	●	●	●	●	●
45	336030	Safety thermal release 1-poles 30A	●	●	●	●	●	●	●	●
46	407085	Blind plug exhaust air EB 30 XL	●	●	●	●	●	●	●	●

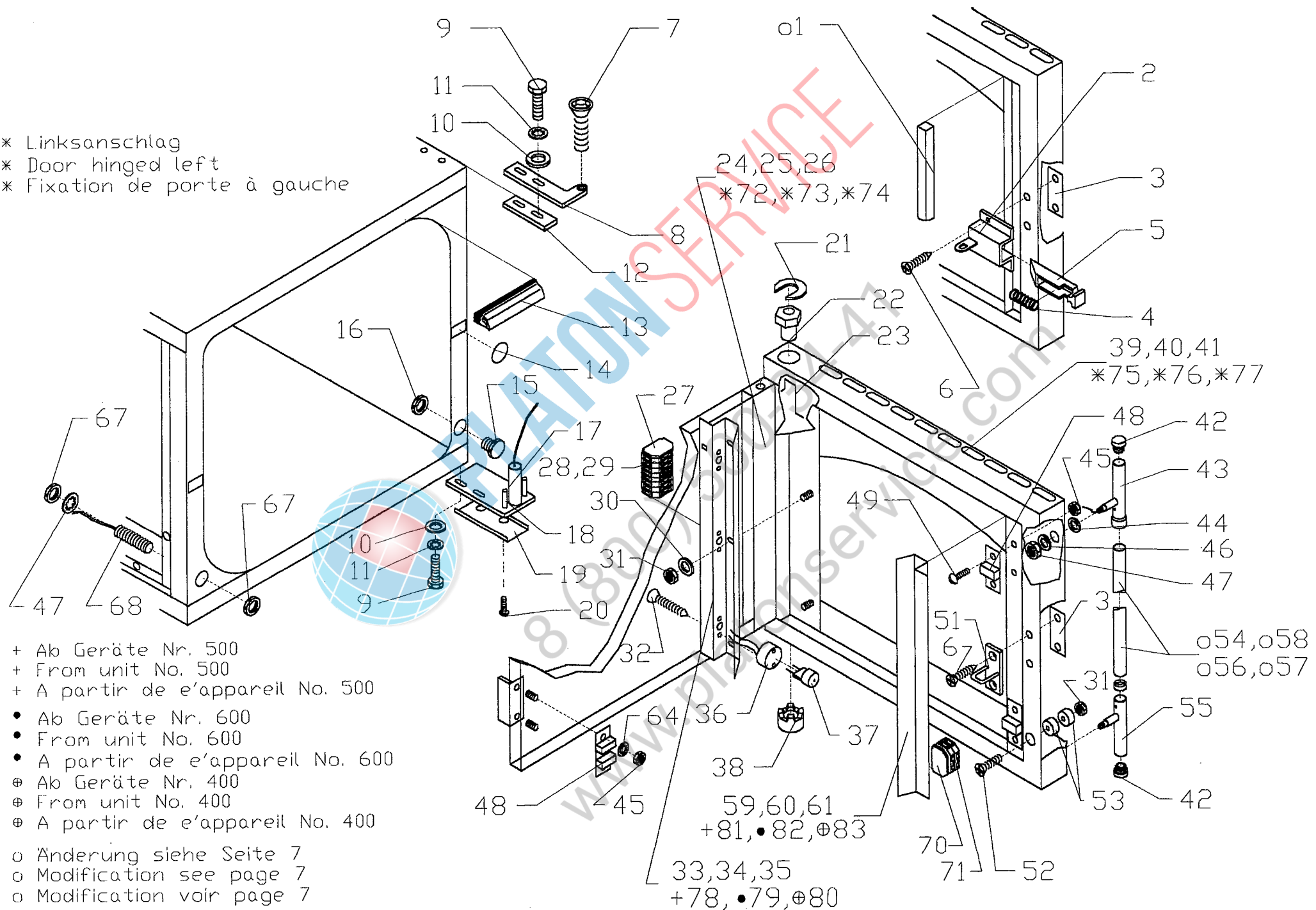


Backmaster EB EBC

Pos.	Article no.	Description	EB 40	EB 60	EB100	EBC 60	EBC 100	EBC 120	electron	digital
1	500223	window screw, ELG 3, 5, 8	●	●	●	●	●	●	●	●
2	385100	Angle lever EB 40 left hand hi	●			●	●		●	●
3	385101	Angle link EB 60 left hand hi		●			●	●	●	●
4	385107	Angle lever EB 100 left hand hi			●				●	●
5	385096	Pull rod EB	●	●	●	●	●	●	●	●
6	505031	Hex nut ISO 4032 M4 V4A DIN 934	●	●	●	●	●	●	●	●
7	416051	Extension spring angel lever	●	●	●	●	●	●	●	●
8	500119	cheese-head screw DIN 7985 M	●	●	●	●	●	●	●	●
9	380064	Locking hook door EB	●	●	●	●	●	●	●	●
10	483140	Pressure rod EB	●	●	●	●	●	●	●	●
11	483139	Lock box EB	●	●	●	●	●	●	●	●
12	505032	hex nut ISO 4032 M6 V4A	●	●	●	●	●	●	●	●
13	510015	toothed disk DIN 6797 J6,4 V2A	●	●	●	●	●	●	●	●
14	410030	Crank door lock EB	●	●	●	●	●	●	●	●
15	505030	hex nut ISO 4032 M3 V4A	●	●	●	●	●	●	●	●
16	510020	Toothed disk DIN 6797 J3,2 V2A	●	●	●	●	●	●	●	●
17	320057	Roller for micro switch	●	●	●	●	●	●	●	●
18	320055	microswitch	●	●	●	●	●	●	●	●
19	483147	Control plate EB left hand hi	●	●	●	●	●	●	●	●
20	508013	Washer DIN 125 A 6,4 V2A	●	●	●	●	●	●	●	●
21	500043	hex screw ISO 4017 M6 x 10 V2	●	●	●	●	●	●	●	●
22	390049	Motor fastener EB left hand hi	●	●	●	●	●	●	●	●
23	390032	Geared motor 24 V DC	●	●	●	●	●	●	●	●
24	483137	Lock box EB left hand hi	●	●	●	●	●	●	●	●
25	505108	Nut M6 A 2	●	●	●	●	●	●	●	●
26	483138	Special switch plate EB	●	●	●	●	●	●	●	●
27	390045	Motor fastener EB	●	●	●	●	●	●	●	●
28	505027	hex nut ISO 4032 M12 V4A	●	●	●	●	●	●	●	●
29	500069	blind screw M 12 x 20	●	●	●	●	●	●	●	●
30	401041	Lower door bearing EB left hand hi	●	●	●	●	●	●	●	●
31	401047	Distance plate door bearing EB	●	●	●	●	●	●	●	●
32	407058	Cover EB	●	●	●	●	●	●	●	●
33	510016	toothed disk DIN 6797 J8,4 V2A	●	●	●	●	●	●	●	●
34	508017	Washer DIN 125 A 8,4 V2A	●	●	●	●	●	●	●	●
35	500067	cup screw M 4 x 12	●	●	●	●	●	●	●	●
36	483150	Dummy cover EB	●	●	●	●	●	●	●	●
37	505100	Hexagon nut M10x1 flat form V2	●	●	●	●	●	●	●	●
38	320048	magnetswitch	●	●	●	●	●	●	●	●

Pos.	Article no.	Description	EB 40	EB 60	EB100	EBC 60	EBC 100	EBC 120	electron	digital
39	510017	toothed disk DIN 6797 J10,5 V2A	●	●	●	●	●	●	●	●
40	500243	Countersunk screw door hinge EB	●	●	●	●	●	●	●	●
41	500047	hex screw ISO 4017 M8 x 30 V2	●	●	●	●	●	●	●	●
42	401043	Upper door bearing EB left hand hi	●	●	●	●	●	●	●	●
43	401047	Distance plate door bearing EB	●	●	●	●	●	●	●	●
44	385103	Angle lever EB 40 door lock	●			●	●		●	●
45	385095	Angle lever EB 60 door lock		●			●	●	●	●
46	385106	Angle lever EB 100 door lock			●				●	●
####	304193	Harness illumination door lock E	●	●		●	●	●	●	●

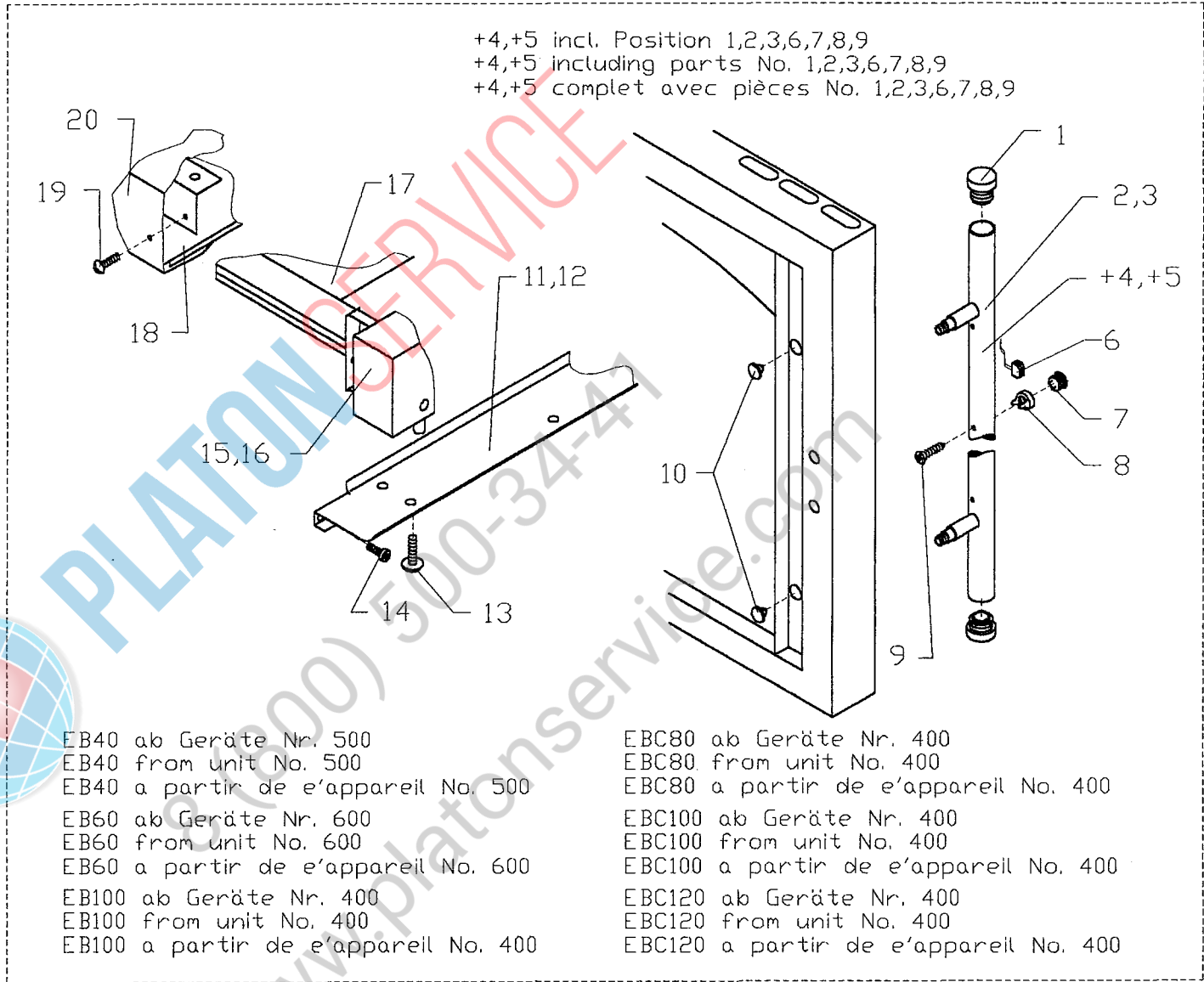
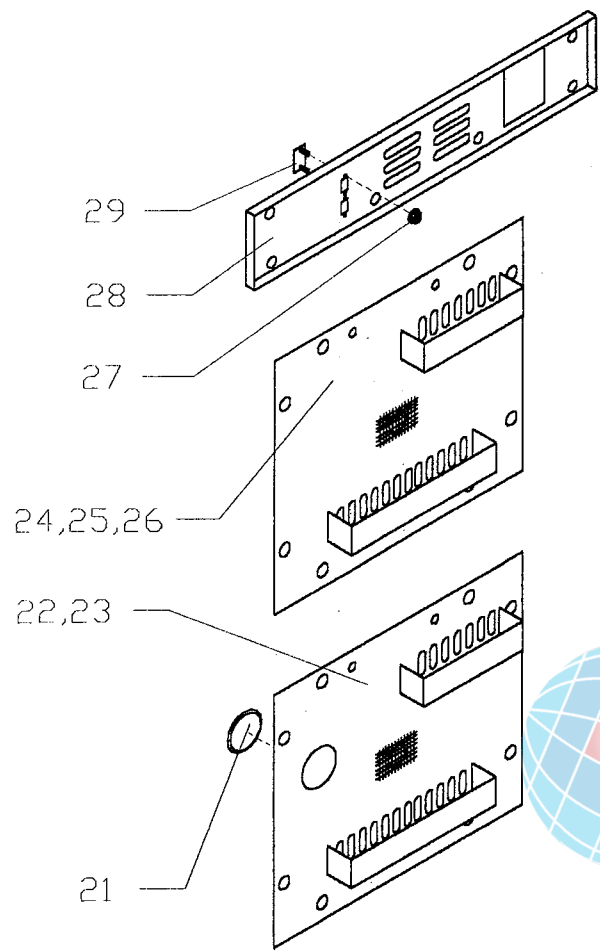
* Linksanschlag
 * Door hinged left
 * Fixation de porte à gauche



Backmaster EB EBC

Pos.	Article no.	Description	EB 40	EB 60	EB100	EBC 80	EBC 100	EBC 120	electron	digital
1	425139	Buffer inner door pane EB - replac	●	●	●	●	●	●	●	●
2	380062	Lock EB	●	●	●	●	●	●	●	●
3	380063	Counter plate lock EB	●	●	●	●	●	●	●	●
4	416050	Spring for lock EB	●	●	●	●	●	●	●	●
5	380067	Slider EB	●	●	●	●	●	●	●	●
6	500133	countersunk screw DIN 965 M5 x 16 V2	●	●	●	●	●	●	●	●
7	500243	Countersunk screw door hinge EB	●	●	●	●	●	●	●	●
8	401044	Upper door bearing EB	●	●	●	●	●	●	●	●
9	500047	hex screw ISO 4017 M8 x 30 V2	●	●	●	●	●	●	●	●
10	508017	Washer DIN 125 A 8,4 V2A	●	●	●	●	●	●	●	●
11	510016	toothed disk DIN 6797 J8,4 V2A	●	●	●	●	●	●	●	●
12	401047	Distance plate door bearing EB	●	●	●	●	●	●	●	●
13	425127	Door gasket EB	●	●	●	●	●	●	●	●
14	483150	Dummy cover EB	●	●	●	●	●	●	●	●
15	500069	blind screw M 12 x 20	●	●	●	●	●	●	●	●
16	505027	hex nut ISO 4032 M12 V4A	●	●	●	●	●	●	●	●
17	401042	Lower door bearing EB	●	●	●	●	●	●	●	●
19	407058	Cover EB	●	●	●	●	●	●	●	●
20	500067	cup screw M 4 x 12	●	●	●	●	●	●	●	●
21	508047	Locking plate EB door angle	●	●	●	●	●	●	●	●
22	412131	Eccentric bearing EB	●	●	●	●	●	●	●	●
23	420029	Hinge hook EB	●	●	●	●	●	●	●	●
24	472072	Inner door compl. EB 40	●			●	●	●	●	●
25	472061	Inner door compl. EB 60		●			●	●	●	●
26	472066	Inner door compl. EB 100			●			●	●	●
27	371039	end plate	●	●	●	●	●	●	●	●
28	371037	clamp	●	●	●	●	●	●	●	●
29	371038	clamp	●	●	●	●	●	●	●	●
30	508012	Washer DIN 125 A 4,3 V2A	●	●	●	●	●	●	●	●
31	505031	Hex nut ISO 4032 M4 V4A DIN 934	●	●	●	●	●	●	●	●
32	500095	Oval-head screw DIN 7985 M 3x10 V2	●	●	●	●	●	●	●	●
33	472046	Reflector left EB 40	●			●	●	●	●	●
34	472044	Reflector left EB 60		●			●	●	●	●
35	472042	Reflector left EB 100			●			●	●	●
36	314029	halogen lamp-holder witch socke	●	●	●	●	●	●	●	●
37	312021	halogen lamp 12V 20W	●	●	●	●	●	●	●	●
38	401038	Sleeve d=6, D=8	●	●	●	●	●	●	●	●
39	472055	Outer door compl. EB 40	●			●	●	●	●	●

Pos.	Article no.	Description	EB 40	EB 60	EB100	EBC 80	EBC 100	EBC 120	electron	digital
40	472056	Outer door complete EB 60		●			●	●	●	●
41	472057	Outer door compl. EB 100			●			●	●	●
42	407062	Stopper D=28 black	●	●	●	●	●	●	●	●
43	380059	Door handle EB upper end piece	●	●	●	●	●	●	●	●
44	412134	Washer door handle EB	●	●	●	●	●	●	●	●
45	505030	hex nut ISO 4032 M3 V4A	●	●	●	●	●	●	●	●
46	510017	toothed disk DIN 6797 J10,5 V2A	●	●	●	●	●	●	●	●
47	505034	hex nut ISO 4032 M10 V4A	●	●	●	●	●	●	●	●
48	380061	Spring catch for inner window EB	●	●	●	●	●	●	●	●
49	500191	cheese head screw DIN 7985,	●	●	●	●	●	●	●	●
51	380062	Lock EB	●	●	●	●	●	●	●	●
52	500132	countersunk screw DIN 965 M4 x 25 V2	●	●	●	●	●	●	●	●
53	322010	Magnet 20x10 with red cap	●	●	●	●	●	●	●	●
54	630035	AG door handle EB 40	●			●			●	●
55	380056	Door handle EB, lower end piece	●	●	●	●	●	●	●	●
56	403052	Sliding tube door handle EB 40	●			●	●		●	●
57	403046	Sliding tube door handle EB 60		●	●		●	●	●	●
58	630034	AG door handle EB 60		●	●		●	●	●	●
59	472045	Reflector right EB 40	●			●	●		●	●
60	472043	Reflector right EB 60		●			●	●	●	●
61	472041	Reflector right EB 100			●				●	●
64	510020	Toothed disk DIN 6797 J3,2 V2A	●	●	●	●	●	●	●	●
67	505100	Hexagon nut M10x1 flat form V2	●	●	●	●	●	●	●	●
68	320061	Magnetic switch 2,5m D=8x60	●	●	●	●	●	●	●	●
72	472060	Inner door compl. EB 40 left hand h	●			●	●		●	●
73	472062	Inner door compl. EB 60 Left hand h		●			●	●	●	●
74	472063	Inner door compl. EB 100 left hand h			●				●	●
75	472070	Outer door compl. EB 40 left hand h	●			●	●		●	●
76	472071	Outer door compl. EB 60 left hand h		●			●	●	●	●
77	472065	Outer door compl. EB 100 left hand h			●				●	●
78	472118	Reflector left side EB 40/00	●			●	●		●	●
79	472120	Reflector left side EB 60/00		●				●	●	●
80	472122	Reflector left side EB 100/00			●				●	●
81	472117	Reflector right side EB 40/00	●			●	●		●	●
82	472119	Reflector right side EB 60/00		●				●	●	●
83	472121	Reflector right side EB 100/00			●				●	●



EB40 ab Geräte Nr. 500
EB40 from unit No. 500
EB40 a partir de e'appareil No. 500
EB60 ab Geräte Nr. 600
EB60 from unit No. 600
EB60 a partir de e'appareil No. 600
EB100 ab Geräte Nr. 400
EB100 from unit No. 400
EB100 a partir de e'appareil No. 400

EBC80 ab Geräte Nr. 400
EBC80 from unit No. 400
EBC80 a partir de e'appareil No. 400
EBC100 ab Geräte Nr. 400
EBC100 from unit No. 400
EBC100 a partir de e'appareil No. 400
EBC120 ab Geräte Nr. 400
EBC120 from unit No. 400
EBC120 a partir de e'appareil No. 400

EB40 ab Geräte Nr. 502
EB40 from unit No. 502
EB40 a partir de e'appareil No. 502
EB60 ab Geräte Nr. 757
EB60 from unit No. 757
EB60 a partir de e'appareil No. 757

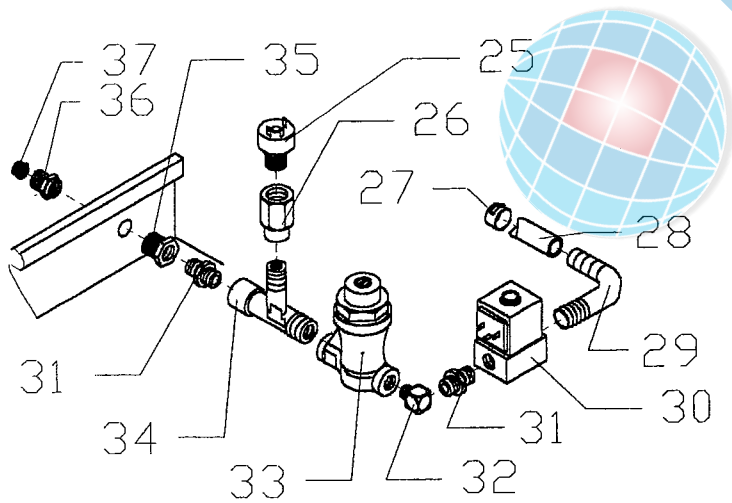
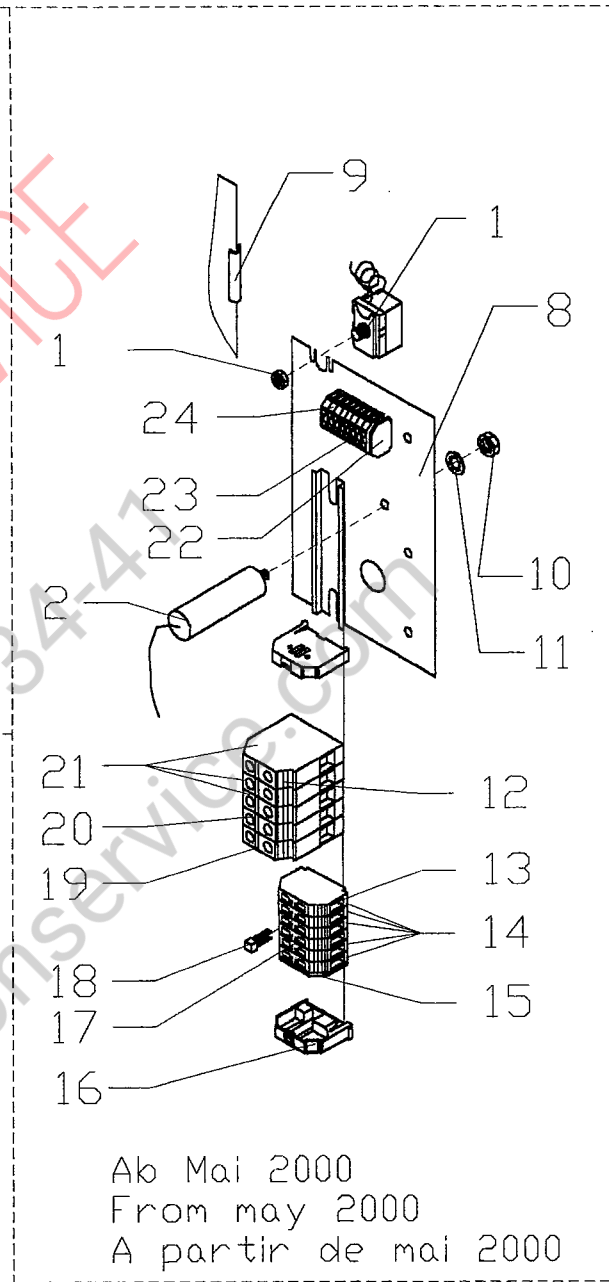
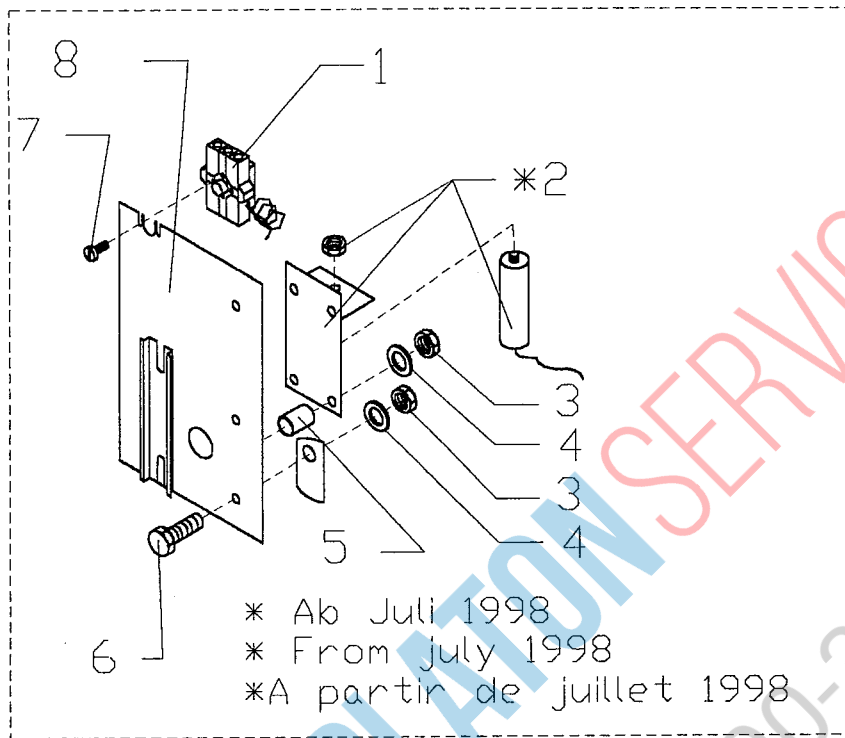
EB100 ab Geräte Nr. 479
EB100 from unit No. 479
EB100 a partir de e'appareil No. 479
EBC80 ab Geräte Nr. 401
EBC80 from unit No. 401
EBC80 a partir de e'appareil No. 401

EBC100 ab Geräte Nr. 407
EBC100 from unit No. 407
EBC100 a partir de e'appareil No. 407
EBC120 ab Geräte Nr. 419
EBC120 from unit No. 419
EBC120 a partir de e'appareil No. 419

Backmaster EB EBC

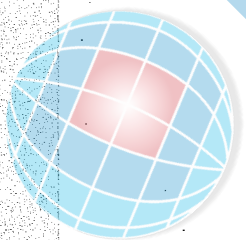
Pos.	Article no.	Description	EB 40	EB 60	EB100	EBC 80	EBC 100	EBC 120	electron	digital
1	407062	Stopper D=28 black	●	●	●	●	●	●	●	●
2	380106	Door handle EB 40/00	●			●			●	●
3	380107	Door handle EB 60/00		●	●		●	●	●	●
4	380109	Door handle EB 40/00 assembled	●			●			●	●
5	380110	Door handle EB 60/00 assembled		●	●		●	●	●	●
6	371079	Connecting terminal	●	●	●	●	●	●	●	●
7	322031	Piezo touch EB 40-100	●	●	●	●	●	●	●	●
8	407076	Adapting piece for touch EB /00	●	●	●	●	●	●	●	●
9	500267	Wood countersunk screw DIN 92 3x3	●	●	●	●	●	●	●	●
10	407079	Body bumper 50 shore silicon red	●	●	●	●	●	●	●	●
11	478099	Steam deflecting plate door hinge	●	●	●	●	●	●	●	●
12	478098	Steam deflecting plate, door hinge	●	●	●	●	●	●	●	●
13	500124	cup-screw	●	●	●	●	●	●	●	●
14	500093	Oval-head screw DIN 7985 M4 x 12 V2	●	●	●	●	●	●	●	●
15	479072	Touch key panel EB/99	●	●	●				●	●
16	479071	touch key panel compl. EBC/99				●	●	●	●	●
17	474082	Bottom plate installation electr. parts	●	●	●	●	●	●	●	●
18	473112	Bottom plate electric box compl. EB/	●	●	●	●	●	●	●	●
19	500066	cup screw M 4 x 8	●	●	●	●	●	●	●	●
20	475152	Cap electric box compl. EB/99	●	●	●	●	●	●	●	●
21	306019	Rubber socket black PG 16				●		●	●	●
22	477112	Back wall EB 40	●			●		●	●	●
23	477113	Back wall EB 60		●			●	●	●	●
24	477114	Back wall EB 100			●			●	●	●
25	477144	Back wall EB60 perforated				●	●	●	●	●
26	477145	Back wall EB40 perforated				●		●	●	●
27	505115	Disk nut M3 V2A	●	●	●	●	●	●	●	●
28	477143	Back wall electric box EB 40/60/1	●	●	●	●	●	●	●	●
29	483224	Dummy cover serial inter-face RS 22	●	●	●	●	●	●	●	●
###	304300	Harness door touch EB	●	●	●	●	●	●	●	●

Pos.	Article no.	Description	EB 40	EB 60	EB100	EBC 80	EBC 100	EBC 120	electron	digital



EB40 ab Geräte Nr. 510
 EB40 from unit No. 510
 EB40 a partir de e'appareil No. 510

EB60 ab Geräte Nr. 628
 EB60 from unit No. 628
 EB60 a partir de e'appareil No. 628



PLATON SERVICE

8 (800) 500-34-47

www.platonservice.com

eloma

Eloma GmbH
Otto-Hahn-Strasse 10
82212 Malsach
Germany

Phone: +49(0)8141 395-0
Fax: +49(0)8141 395-130
www.eloma.com
info@eloma.com

22.10.2002

Article no. 906053

Edition 8/01/leh/bre

Technical modifications reserved